



evosanitary

STANDARD

**MANUAL DE UTILIZARE/ USER'S MANUAL
POMPA SUBMERSIBILA CENTRIFUGALA 4" /
SUBMERSIBLE CENTRIFUGAL PUMP 4"**



Va multumim pentru achizitionarea acestui produs Evosanitary, fabricat conform celor mai inalte standarde de siguranta si de functionare.



Avertizare! Pentru siguranta dumneavoastra cititi cu atentie acest manual si instructiunile generale de siguranta inaintea utilizarii echipamentului. Nerespectarea acestor reguli poate avea ca rezultat producerea electrocutarilor, a incendiilor si/sau a ranirilor personale.

Simboluri

Simbolurile utilizate in manual sau pe produs au urmatoarele semnificatii:

	Atentie!		Produsul este in conformitate cu standardele de siguranta ale Directivelor Europene
	Cititi manualul de utilizare		Izolatie dubla

Masuri de siguranta generale pentru uneltele electrice

Masuri de siguranta a echipamentului in exploatare



ATENTIE! Verificati intotdeauna ca tensiunea de alimentare sa corespunda cu cea inscrisa pe placuta echipamentului.

- Nu rascuciti cablul electric de alimentare
- Nu transportati echipamentul tinandu-l de cablul electric si nu trageti de cablul electric pentru a-l scoate din priza.
- Tineti cablul electric de alimentare a masinii la distanta fata de sursele de caldura, de petele de ulei, de grasimi, de obiectele ascutite si sursele care emana caldura.
- Verificati stecherul si cablul electric in mod regulat si in caz de deteriorare a acestora apelati la un electrician autorizat.
- Nu suprasolicitati pompa! Ea poate fi folosita in conditii de siguranta daca sunt respectati parametrii de exploatare care o caracterizeaza. Nu utilizati unelte electrice cu un alt scop fata de cel pentru care sunt destinate.

Service

- Repararea trebuie realizata numai de catre personal autorizat prin inlocuirea cu accesorii si piese de schimb originale pentru a se evita producerea accidentelor datorate reparatiilor necorespunzatoare.

Masuri de siguranta specifice pompei submersibile

- Nu utilizati pompa in puturi, piscine, iazuri sau rezervoare in care sunt persoane in imediata vecinatate a pompei.
- Evitati functionarea pompei in gol.
- Intrucat pompa este foarte silentioasa in exploatare, evitati toate problemele legate de aspiratie la utilizarea ei in rezervoare sau fantani.

- Instalarea pompei trebuie efectuata de catre personal calificat.
- Pentru fixarea pompei cu un cablu sau sfoara in pozitia de lucru utilizati manerele cu care este prevazuta.

Domeniu de utilizare.

- Aceasta electropompa este destinata transportului apei din fantani, puturi si a micilor lucrari de irigatii agricole sau gradini. Nu utilizati produsul pentru extragerea hidrocarburilor (carburanti, uleiuri, solventi...)
 - Constructia speciala a rotorului faciliteaza racirea pompei in timpul functionarii.
- NU ESTE PROIECTATA PENTRU UZ INDUSTRIAL.**



ATENȚIE ! Pompa este proiectata si construita pentru extragerea lichidelor fara continut de substante explozive si a lichidelor non-agresive chimic si cu densitatea maxima a particulelor de 15g/m³.

Pregatirea pentru punerea in functiune



ATENȚIE! IN CAZUL IN CARE APAR ZGOMOTE ANORMALE IN FUNCTIONARE OPRIȚI IMEDIAT POMPA SI ADRESATI-VA UNUI SERVICE AUTORIZAT PENTRU CONSTATARI SI REPARATII.



ATENȚIE ! Deconectati alimentarea cu energie electrica inaintea inceperii oricarei operatiuni de reglare sau intretinere

Reglare intrerupator cu flotor (acesoriu optional)

Prin modificarea lungimii portiunii de cablu dintre flotor si punctul de fixare se stabileste punctul in care pompa intra in functiune / se opreste. Asigurati-va ca intrerupatorul cu flotor se poate misca liber in timpul functionarii.

Asigurati-va ca reglati pozitia oprit a intrerupatorului cu flotor astfel incat corpul pompei sa nu ramana deasupra nivelului apei.

Zona de lucru:

- Inainte de imersarea electropompei in pozitia de lucru asigurati-va ca nu exista nisip sau sedimente solide. In cazul existentei acestora curatati foarte bine amplasamentul pompei.
- Pompa functioneaza in pozitie verticala.
- Pozitionati pompa la cel putin 0.5 m desupra bazei amplasamentului astfel incat depunerile ulterioare de sedimente sa nu afecteze buna functionare a pompei.
- Este foarte important ca nivelul apei sa nu coboare niciodata sub corpul pompei.
- **PERICOL DE INGHET!** In situatia in care pompa ramane inactiva la temperaturi sub 0°C, asigurati-va ca nu exista apa reziduala care poate ingheta si prin urmare poate distruge componentele pompei.

Conexiune hidraulica

- Se face utilizand tubulatura rigida sau flexibila din metal sau plastic.
- Este recomandata utilizarea unei tubulaturi cu un diametru interior cel putin egal cu cel al pompei, pentru evitarea scaderii performantelor pompei si aparitiei colmatarii.
- Dimensiunile amplasamentului pompei trebuie calculate in stransa legatura cu volumul estimat de apa si cu debitul pompei, pentru evitarea unei frecvente prea mari de porniri ale pompei. Pompa nu trebuie supusa la mai mult de 30 cicluri de pornire pe ora pentru evitarea supraincalzirii motorului.

Conexiune electrica

- Este recomandata conectarea pompei la un circuit electric dedicat, cu impamantare.

- Aceste pompe cu motoare monofazate sunt dotate cu protecte termica si pot fi conectate direct la retea.

Curatare si intretinere



ATENTIE! Inainte de orice interventie asupra echipamentului, deconectati alimentarea cu energie electrica de la retea.

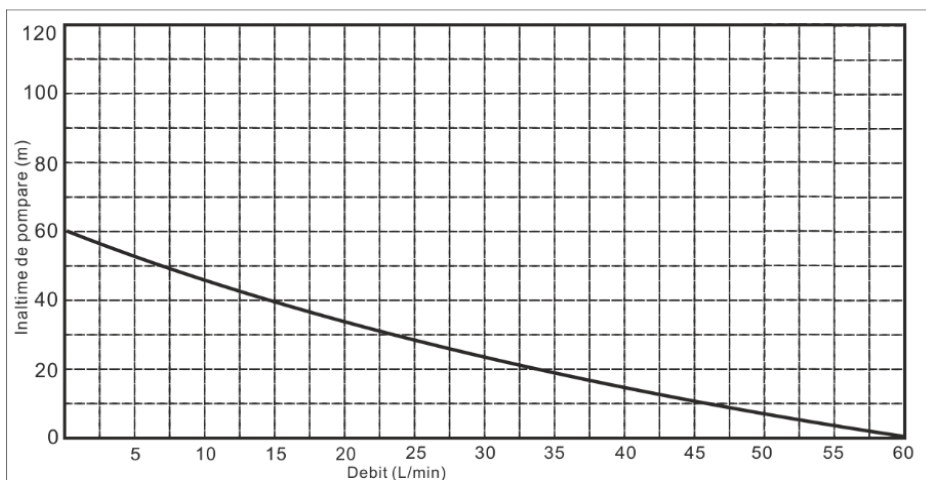
Principalele cauze care pot conduce la distrugerea bobinei statorului pot fi urmatoarele:

1. Tensiunea electrica prea ridicata sau prea scazuta.
2. Patrunderea apei in interior cauzata de distrugerea sistemelor de etansare.

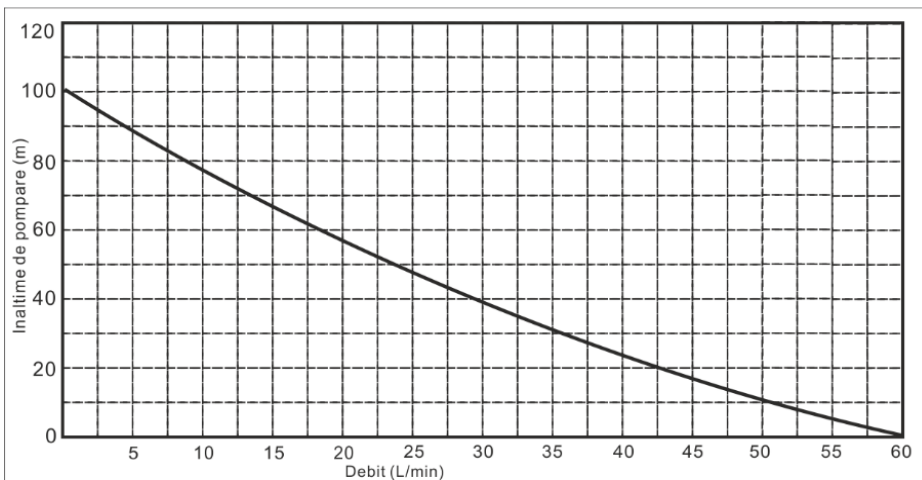
Intretinere

Echipamentul nostru a fost proiectat astfel incat sa poata fi utilizat pentru o perioada indelungata cu un minimum de intretinere. Dupa o functionare de 2000 de ore este necesar sa verificati uzura motorului. Daca uzura este avansata, inlocuiti componentele uzate. Dupa o functionare de 3000 de ore inlocuiti uleiul de lubrifiere (ulei mecanic nr.3 sau nr. 10 cu grad de umplere de pana la 80% din volum).

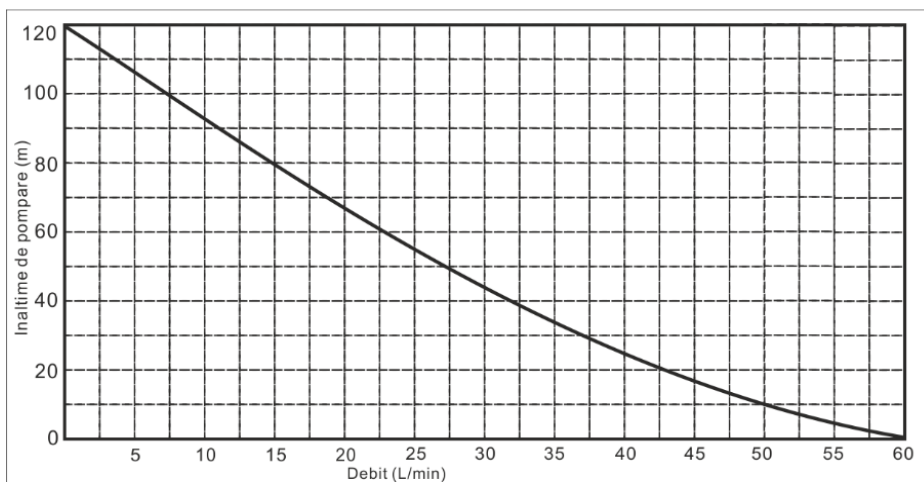
Caracteristica H (m col H₂O) – Q (l/ min) a pompei 4KSM 100



Caracteristica H (m col H₂O) – Q (l/ min) a pompei 4KSM 150



Caracteristica H (m col H₂O) – Q (l/ min) a pompei 4KSM 200



Date tehnice

	4KSM 100	4KSM 150	4KSM 200
Tensiune / Frecventa	230-240V ~ 50Hz		
Putere nominala	750 W	1100 W	1500 W
Tip motor	Cu baie de ulei		
Infasurare stator	Cupru100%		
Debit maxim	2.8 mc/h	2.8 mc/h	3 mc/h

Temperatura lichid	0° – 40° C		
Inaltime maxima pompare	58 m	100 m	120 m
Diametru racord refulare	1"		
Densitate maxima particule in suspensie	15g /mc		
Diametru cablu	(3+1) *0.75mm ²	(3+1) *1.0mm ²	(3+1) *1.5mm ²

Depozitare

- Depozitati pompa intr-un spatiu inaccesibil copiilor intr-o pozitie stabila si sigura intr-un loc fara praf sau supus vibratiilor, evitand temperaturile prea ridicate sau scazute.
- Protejati pompa fata de actiunea directa a razelor solare si pastrati-o intr-un loc intunecos, daca este posibil.

Garantie Rotorul din alama este supus unei uzurii in functie de calitatea apei , de numarul si de marimea particulelor din apa.Din acest motiv rotorul este considerat consumabil si nu beneficiaza de garantie.

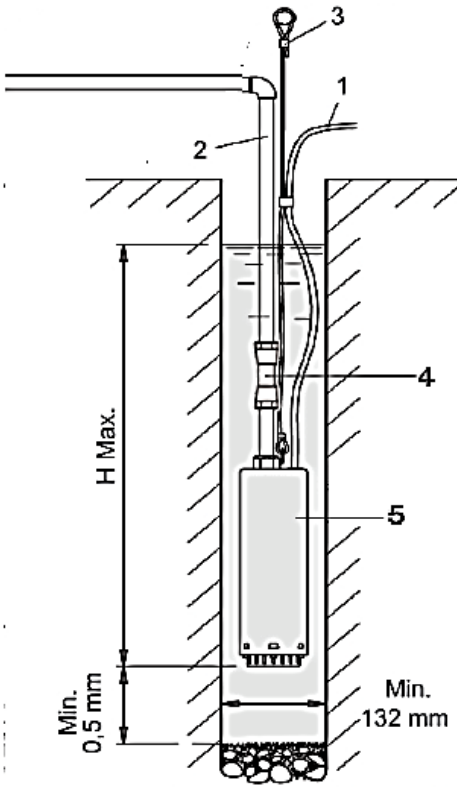
Garantia acopera toate materialele componente si vicile de fabricatie cu exceptia,fara insa a fi limitate la:

- Componente uzate ca urmare a unei exploatari normale (perii colectoare, rulmenti, cabluri, etc) sau accesorii.,
- Defecte cauzate de o exploatare, intretinere si depozitare necorespunzatoare, modificari neautorizate asupra echipamentului, costul transportului.
- Pagube materiale si leziuni corporale rezultate in urma exploatarii necorespunzatoare a echipamentului.
- Deteriorari cauzate de lichide,patrundere excesiva de praf, distrugere intentionata , utilizare inadecvata (pentru scopuri in care acest echipament nu este proiectat), etc.

Solutionare probleme de exploatare

Probleme	Cauze posibile	Solutii
Pompa nu porneste	Tensiune scazuta de alimentare.	Verificati reteaaua de alimentare
	Turbina blocata.	Demontati pompa si curatati sau inlocuiti turbina
	Condensator defect.	Inlocuiti condensatorul cu unul de aceeasi capacitate
	Motor ars.	Inlocuiti motorul
	Rulment spart.	Inlocuiti rulmentul
Debit insuficient sau pompa nu extrage apa.	Filtru obturat	Curatati sau inlocuiti filtrul
	Turbina sparta	Inlocuiti turbina
	Conducta fisurata	Verificati si remediatii conducta

Exemplu schema montaj



- 1 Cablu electric
- 2 Conducta refulare 1"
- 3 Funie de siguranta
- 4 Supapa de sens
5. Pompa submersibila

Suplimentar pentru functionare in regim de hidrofor:

- Rezervor
- Manometru
- Presostat
- Racord cu 5 cai

EN





Thank you for buying this Evosanitary product, manufactured according to the highest safety and performance standards



WARNING! For your own safety, read this manual and the general safety instructions carefully before using the appliance. Your power tool should only be given to other users together with these instructions.

Symbols

In this manual and/or on the machine the following symbols are used:

	Warning/Danger!		In accordance with essential applicable safety standards of European directives
	Read manual before use		Double insulated

General power tools safety warnings

Electrical safety



Always check that the power supply corresponds to the voltage on the rating plate.

- Do not abuse the cord. Never use the cord for carrying, lifting or operating the pump
- Keep cord away from heat, oil, sharp edges or moving parts. Damaged or entangled cords increase the risk of electric shock.
- Check plug and power cord regularly and in case of damage call to a qualified personnel.
- Do not overload the pump! It can be used safely if operating according to parameters. Do not use power tools for a different purpose than the one for which they are intended.

Service

Your power tool should be serviced by a qualified specialist using only standard spare parts. This will ensure that it meets the required safety standards.

Specific safety instructions for submersible pump

- The pump cannot be used in swimming pools, wells or tanks in which people are present.
- Never let pump run dry.
- When installed in wells or tanks the pump, which is particularly silent running, avoid all problems related to suction.
- Installation should be performed by qualified personnel
- The pump is provided with a handle to which a rope or cable may be connected to lower the pump into working position

Application

The pump is intended for lifting liquids with particle in suspension from wells, first collection tanks or cisterns, cellars, garages and for sprinkling systems for small agricultural installations and gardens, **IT IS NOT DESIGNED FOR PROFESSIONAL USE.**

The special design of rotor provides a very good cooling capacity.



This pump is built up for pumping liquids free from explosive substances and chemically non-aggressive liquids, with maximum liquid density 15g/m³.

Assembly



WARNING! In case of any abnormal noise, immediately turn off the tool and contact an authorized service facility for repairs



Disconnect the power plug before carrying out any adjustments or maintenance.

Float switch settings (optional accessories)

By lengthening or shortening the stretch of cable between the float and the fixed point is possible to

regulate the level at which the pump switch off. Ensure the float switch can move freely when the pump is operating.

Motor shaft rotation check

If the motor does not work when the float is operated, you must check that all working parts are turning freely. To do this:

- Completely disconnect the pump from power grid
- Place the pump in a horizontal position
- Remove the grill and the diffuser and operating a fork wrench 13 , rotate the shaft motor clockwise.
- Reassemble the parts.

Site of installation

- Before immersing the pump in the pit or tank, ensure that the place is free from sand and solid sediment. In case there is sediments, clean thoroughly the place.
- Pump is working in vertical position.
- Keep the pump at least 1m above the bottom of pit as to avoid suction of any deposit form after installation.
- It is very important to ensure that water level never falls below the body of pump.
- **DANGER OF FROST!** When the pump remains inactive at temperature of less than 0°C, it is necessary to ensure that there is no water residue that might freeze, and cause cracking of pump components.

Piping

- The hydraulic connection could be made with iron or plastic parts, either rigid or flexible
- Is recommended to use pipes with an internal diameter at least equal to that of delivery pipe, as to avoid fall in performance and clogging
- The size of pit must be calculated in relation to the estimated inflow and to the flow rate of pump, to avoid an excessive number of starts for motor. The pump must not be started more than 30 time in an hour to avoid excessive thermal stress of the motor.

Electrical connection

- Is advisable to connect the pump to a dedicated power line.
- These pumps with single-phase motor are provided with a built-in thermal overload protection and could be connected directly to the power grid.



Warning! If the motor is overloaded it stops automatically. Once it has cool down it starts again automatically without requiring any manual intervention.

Cleaning and maintenance



Before performing any work on the equipment, pull the power plug.

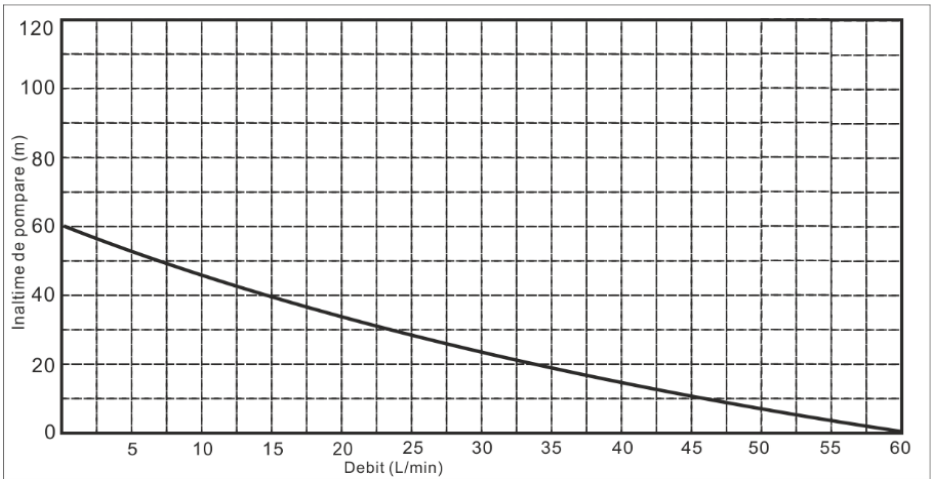
Never use solvents such as petrol, alcohol, ammonia water, etc. These solvents may damage the plastic parts.

Maintenance

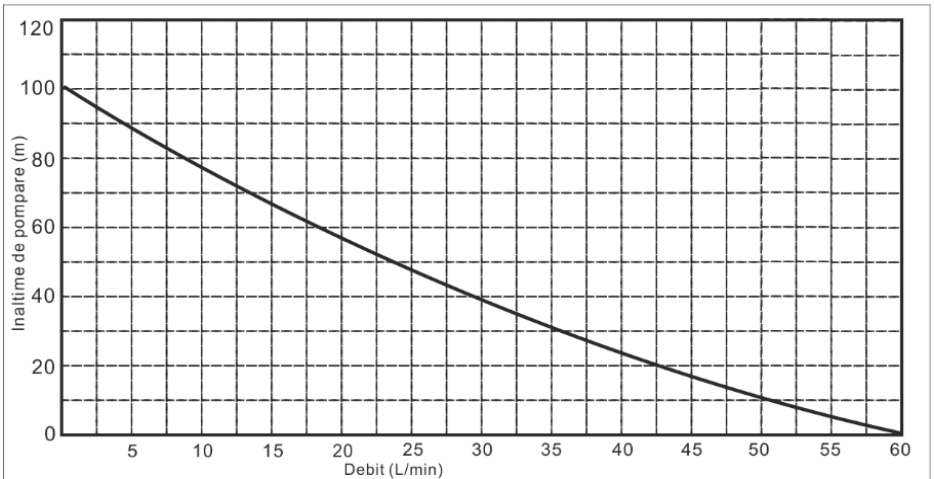
Our products have been designed to operate over a long period of time with a minimum of maintenance. In normal operation after 2000 hours of operation is necessary to check rubber stator and engine. If rubber or engine are damaged, replace worn components. After 3000 hours operation replace the lubricating oil (the mechanical oil No. 3 or no. 10 with a degree of filling of up to 80%

by volume).

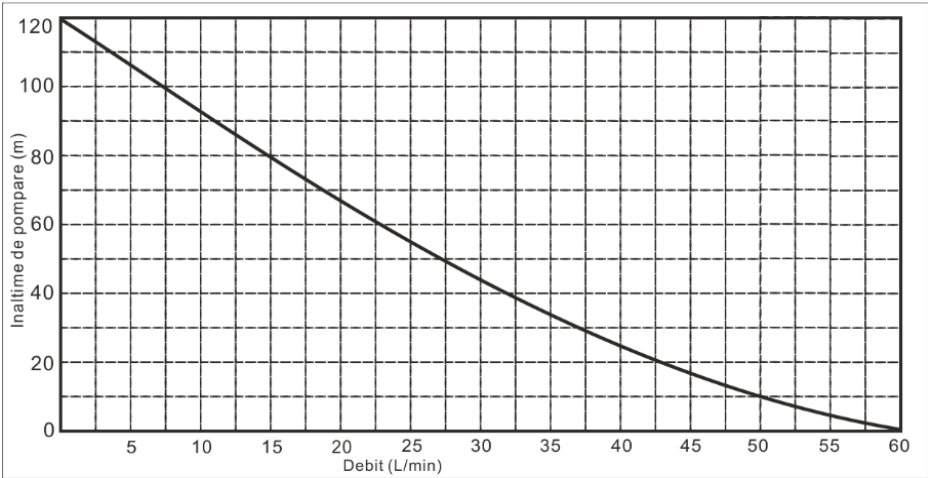
Grafic H (m col H₂O) – Q (l/ min) for 4KSM 100



Grafic H (m col H₂O) – Q (l/ min) for 4KSM 150



Grafic H (m col H₂O) – Q (l/ min) for 4KSM 200



Technical data

	4KSM 100	4KSM 150	4KSM 200
Voltage / Frequency	230-240V ~ 50Hz		
Input power	750 W	1100 W	1500 W
Engine type	Oil-filled		
Material	Copper 100%		
Maximum flow	2.8 mc/h	2.8 mc/h	3 mc/h
Liquid temperature range	0° – 40° C		
Maximum height	58 m	100 m	120 m
Max output diameter	1"		
Maximum liquid density	15g /mc		
Cable size	(3+1) *0.75mm ²	(3+1) *1.0mm ²	(3+1) *1.5mm ²

Storage

- Store it out of the reach of children, in a stable and secure position, in a cool and dry place, avoid too high and too low temperatures.
- Protect it from exposure to direct sunlight. Keep it in the dark, if possible.

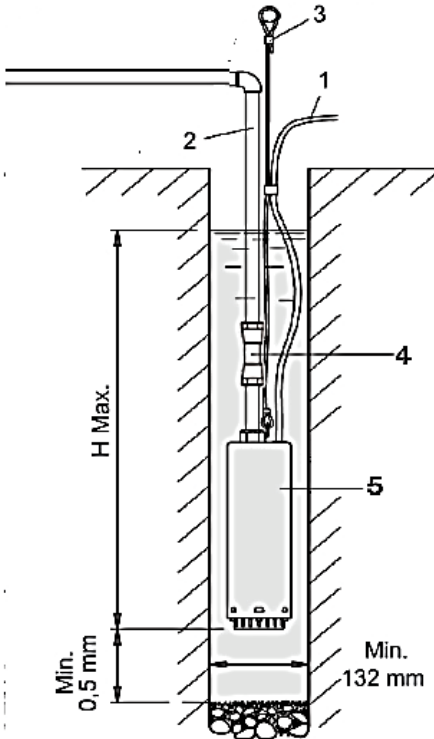
Warranty

This warranty covers all material or production flaws excluding:

- batteries, chargers, defective parts subject to normal wear & tear such as bearings, brushes, cables, and plugs, or accessories such as drills, drill bits, saw blades, etc. ;
- damage or defects resulting from maltreatment, accidents or alterations; nor the transportation cost

- We disclaim all liability for any bodily injury resulting from inappropriate use of the tool.
- Definitely excluded from the warranty is damage resulting from fluid permeation, excessive dust penetration, intentional damage (on purpose or by gross carelessness), inappropriate usage, incompetent usage (e.g. not following the instructions given in the manual), inexpert assembly, lightning strike, erroneous net voltage. This list is not exhaustive.

Mounting scheme



1. Electric cord
2. Outlet pipe 1"
3. Safety rope
4. Backflow preventer
5. Submersible pump

Supplementary, to be operate as hydrophore
 -Tank
 -Manometer
 -Pressure switch
 -5 way connector

