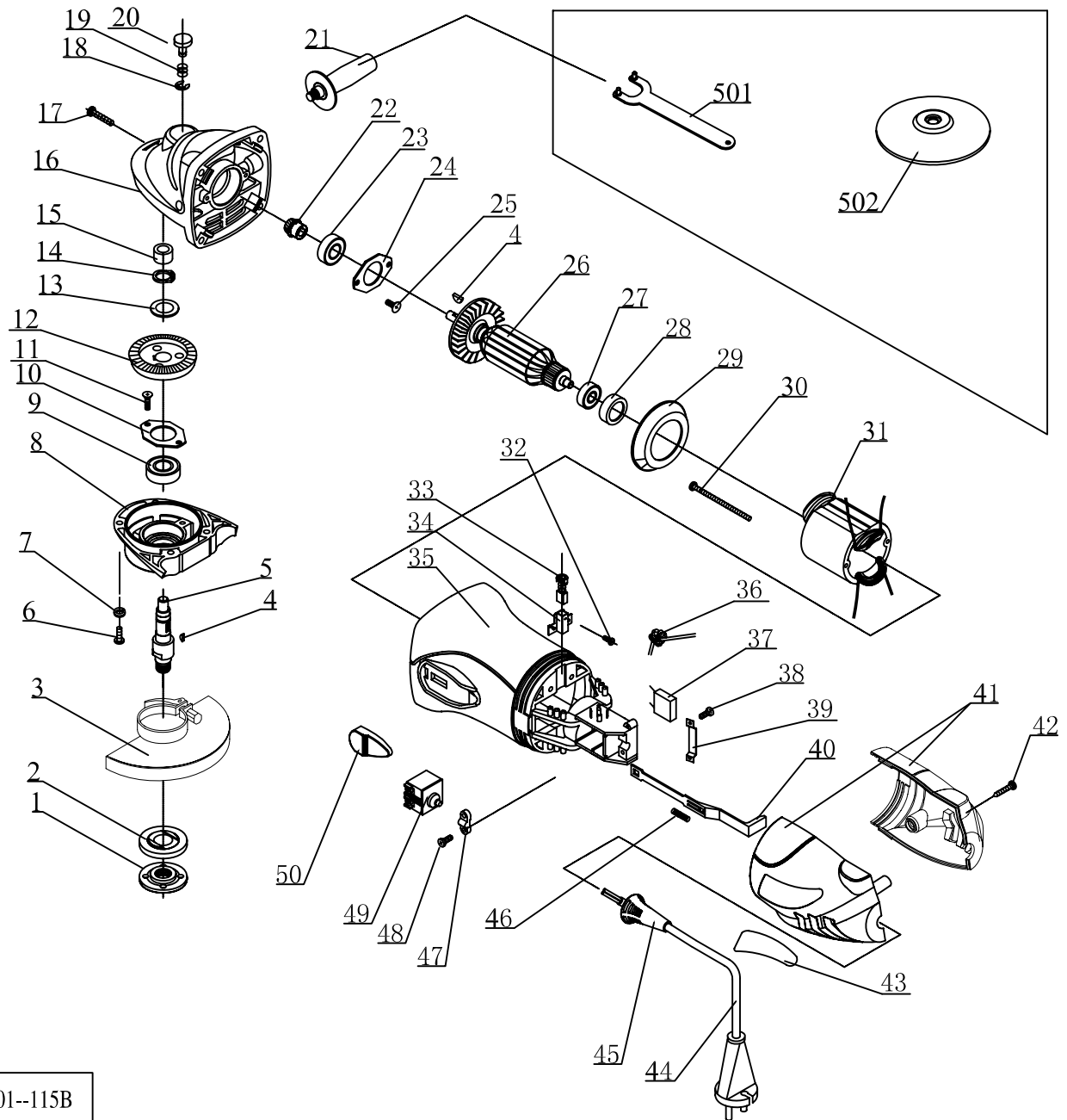


# S1M-XP01-115B/S1M-XP01-125A(630W)



SIM--XP01--115B

Item No.	Part Name	Q'ty	Item No.	Part Name	Q'ty	Item No.	Part Name	Q'ty
1	Outside Flange	1	20	Brake Pin	1	39	Capacitor Box	1
2	Inner Flange	1	21	Side Handle	1	40	Link Pale	1
3	Protective Guard	1	22	Small Gear	1	41	Back Housing	1
4	Woodruff Key 3x3.7x10	2	23	Bearing 629	1	42	Screw ST4.2x16	3
5	Output Spindle	1	24	Bearing Cover	1	43	Name Plate	2
6	Screw M4x12	4	25	Screw M4x8	2	44	Cable Plug	1
7	Spring Washer	4	26	Armature	1	45	Cable sheath	1
8	Fore Cover	1	27	Bearing 627	1	46	Spring	1
9	Bearing 6000	1	28	Rubber Bush	1	47	Cord Clip	1
10	Bearing Cover	1	29	Fan Guide	1	48	Screw ST4.2x13	2
11	Screw M4x8	2	30	Screw M4x55	2	49	Switch	1
12	Big Gear	1	31	Stator	1	50	Trigger	1
13	Undee Spring Washer	1	32	Screw 3.5x8	4	501	Spanner	1
14	Circlip For Shaft 10	1	33	Carbon Brush	2	502	Polishing Disc	1
15	Ogalley Bearing	1	34	Brush Holder	2			
16	Reducer	1	35	Plastic Housing	1			
17	Screw ST4.2x20	4	36	Inductor	2			
18	"E"Ring 6	1	37	Capacitor	1			
19	Spring	1	38	Screw ST2.9x9.5	2			